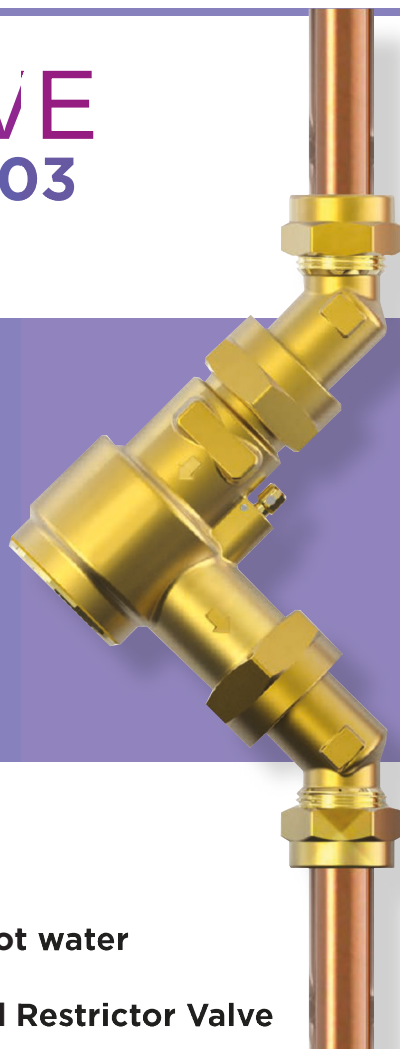


COMBISAVE

MODEL: CSA0003



TEDDINGTON

- Saves Water,
- Saves Gas,
- Reduces CO₂

- Replaces pre-heat function
- Reduced waiting time for hot water
- Thermostatically Controlled Restrictor Valve
- No Power Required
- True Fit And Forget
- WRAS Approved
- Patent: GB2467044 B

Application

The CombiSave is designed to fit on the domestic hot water outlet of a combination boiler to reduce the amount of water wasted while waiting for the boiler to heat the water. It will also greatly reduce the time to heat the water thus saving on gas as well.

The Bucket Test

The water savings can be shown by carrying out a very simple test (The Bucket Test) before and after fitting the CombiSave. When the hot water system is cold place a bucket under the hot water tap. Turn on the tap collecting the water in the bucket. When the water starts to run hot turn off the tap. Make a note of the amount of wasted water you have collected in the bucket.

Repeat this test after fitting the CombiSave and compare the level of water collected compared to the previous test and you will see the saving.

Physical Description

The CombiSave is a thermostatically controlled valve made from de-zincification resistant brass. It is fitted with two rotatable elbows which allows for easy fitting to a range of 15mm pipe configurations. All nuts and olives required for fitting are supplied along with a fitting guide and instructions.

Operation

The CombiSave is installed on the domestic hot water outlet of the combination boiler. When the hot tap is turned on the CombiSave will reduce the flow of water until it has reached the set temperature. At which point, the valve will open fully and allow the hot water to flow freely to the tap. Saving an average of up to 8 litres, each time the tap is turned on from cold.



Technical Specification

Pressure range

0.2~10 bar

Maximum inlet water temp.

85°C

Temperature calibration range

40~50°C

Maximum outlet flow (@ 6bar)

25 l/min

By-pass flow adjustment @ 6bar

0.5~4l/min

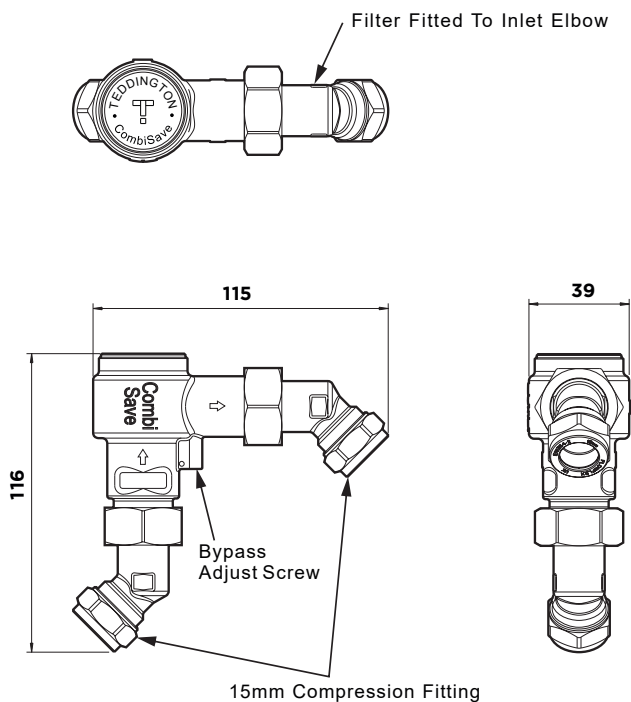
Pipe size (inlet and outlet)

15mm

Boiler type

Combination boiler

Outline Details



Physical Properties

Mass (Complete)

499g

Body Material

Brass

Nuts and Elbow Material

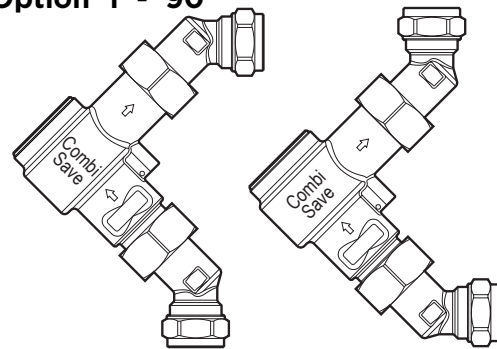
Brass

Olives Material

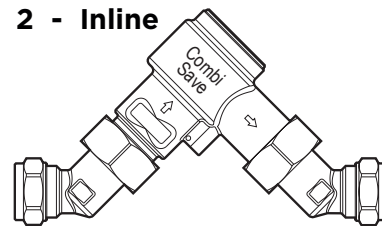
Copper

Typical Installation

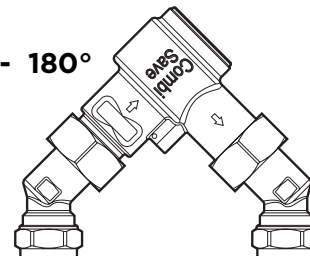
Option 1 - 90°



Option 2 - Inline



Option 3 - 180°



2/18

Details and support available at www.teddingtonheating.com or call **01726 222505**.
Manufactured by **Teddington Appliance Controls Ltd.**

Part of the Teddington Group
Holmbush Industrial Estate
St Austell, Cornwall, PL25 3HG
United Kingdom



FM 1790

T +44 (0)1726 222505
E enquire@teddingtonsystems.co.uk
www.teddingtonsystems.co.uk