

QW

QW/XC/CC/1 – SOLID FUEL DAMPER THERMOSTAT



TEDDINGTON



- **Automatic Control of Coal, Wood or Anthracite Fired Solid Fuel Appliances**
- **Modulating Action Designed to control Hot Water, Room or Solid Fuel Appliances**
- **Optimises Economy in Fuel Consumption**

Application

The QW damper thermostat offers automatic temperature control and economy in the consumption of fuel. It can be used on room heaters, boilers, wood fired stoves.

Installation

By means of the main bracket, rear studs or side bracket.

Physical Description

The QW/XC/CC/1 damper thermostat is of a robust steel construction with a copper sensor phial and capillary with horizontal front facing range spindle. Damper plates may be varied to suit application subject to economical quantities.

Operation

The QW thermostat controls the combustion in a solid fuel appliance by throttling the primary air intake to the fire. A flat damper plate at the end of the control arm is moved relative to the air intake port of the appliance in response to variations of temperature at the sensor.

Thermal operation is by liquid expansion in the sensing phial, through copper capillary tubing to a stainless steel diaphragm capsule located in the instrument head.

Technical Specification

Temperature Range

QW/XC/CC/1 50/95°C (122/203°F)

Alternatives to these ranges can be produced subject to economical quantities.

Weight (approx.)

400g

Damper Plates

Damper plates are available in rectangular or circular form as pack assemblies including fixing screws, lock nuts, spring mountings etc. The latter permit self-alignment of the plate in the closed position.

QW/A/Pack: Rectangular Damper Plate Assembly; plate 105mm x 68mm, guide bracket and fixing kit.

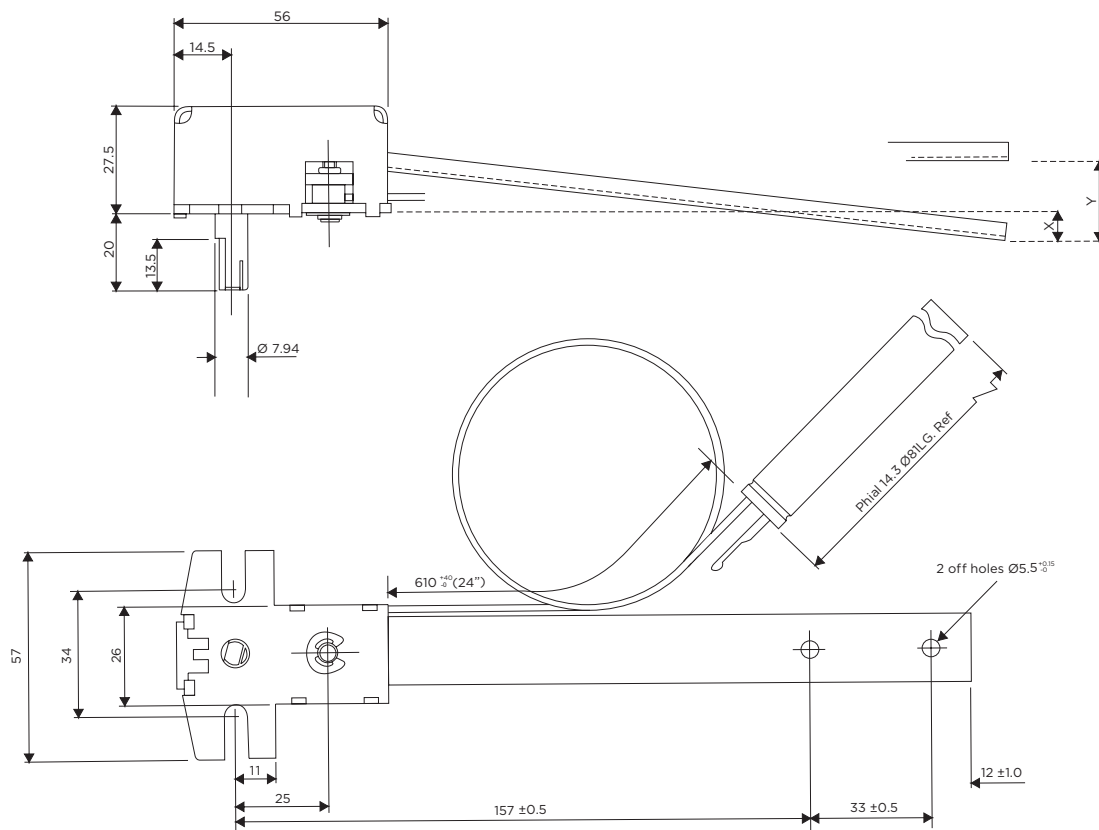
QW/AB/Pack: Rectangular Damper Plate Assembly; plate 105mm x 68mm with drilled holes, guide bracket and fixing kit.

QW/B/Pack: Disc Damper Plate, diameter 90mm.

Outline Details

Dimm X = - 8 ±1mm
Spindle Fully Clock Wise
Phial at Ambient.

Dimm Y = 20 ±2mm
Spindle Fully Clock Wise
Phial at Top of Range 95°C (203°F).



(All dimensions in mm unless shown otherwise)

2/18

Details and support available at
www.teddingtonsystems.co.uk or call **01726 222 505**.
Manufactured by **Teddington Appliance Controls Ltd.**

Part of the Teddington Group
Holmbush Industrial Estate
St Austell, Cornwall, PL25 3HG
United Kingdom

MADE IN
THE UK



FM 1790

T +44 (0)1726 222505
E enquire@teddingtonsystems.co.uk
www.teddingtonsystems.co.uk